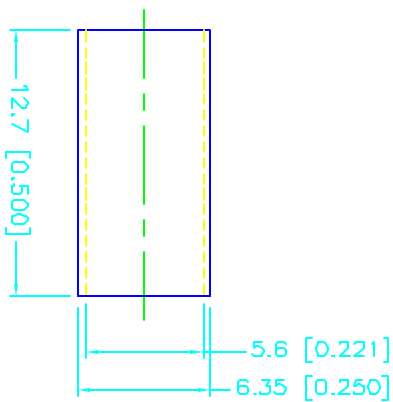
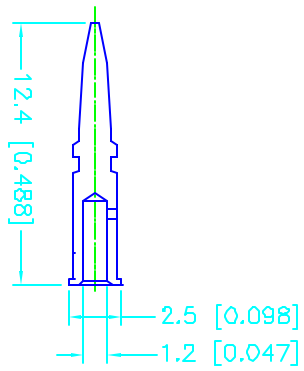
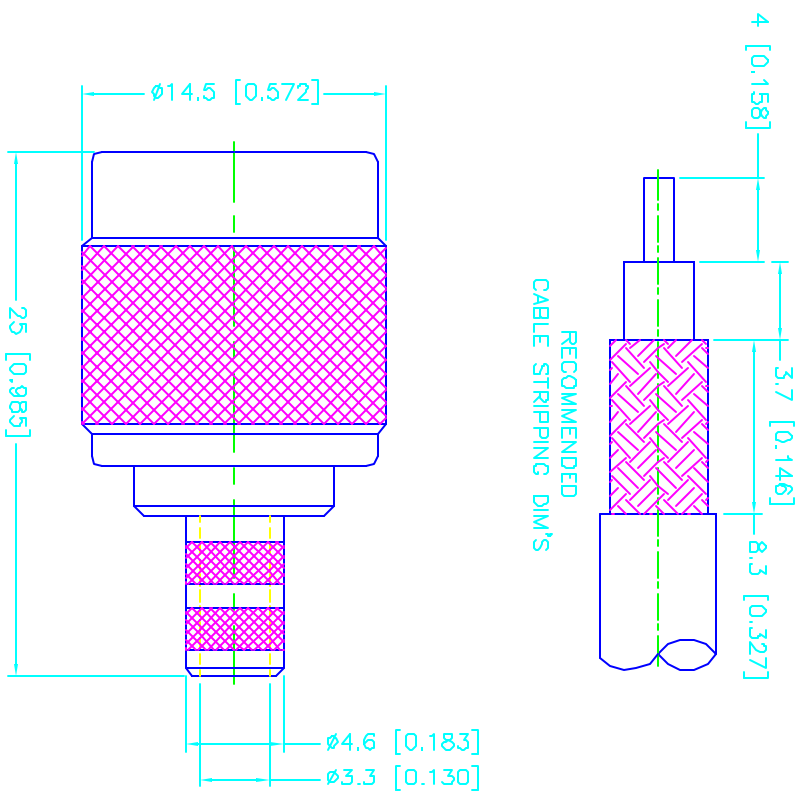


REV.	DATE	DESCRIPTION
NC	08/04/98	INITIAL RELEASE



RECOMMENDED
CABLE STRIPPING DIM'S

DESCRIPTION	MATERIAL	FINISH	UNLESS OTHERWISE SPECIFIED DIMENSIONS ARE IN MILLIMETERS FOR CUSTOMER REFERENCE ONLY	APPROVALS	DATE	TITLE		
1 SHELL	BRASS	NICKEL	UNLESS OTHERWISE SPECIFIED TOLERANCES FOR MILLIMETERS ARE: 0.5-6 = ± 0.2 6-30 = ± 0.4 30-120 = ± 0.6 120-375 = ± 1 375-1000 = ± 1.6 1000-2000 = ± 2.4	DRAWN	08/04/98	TNC CRIMP PLUG - LMR 200 comnex Connector Corporation		
2 BODY	BRASS	NICKEL		CHECKED				
3 INSULATOR	TEFLON	NATURAL		ISSUED	SIZE	FORM NO.	DWG. NO.	REV.
4 CONTACT PIN	BRASS	GOLD			A	99001	122410.DWG	NC
5 FERRULE	BRASS	NICKEL			SCALE	NA	PART NO.	122410
6					SHEET	1	OF	1
7								
8				DO NOT SCALE DRAWING				